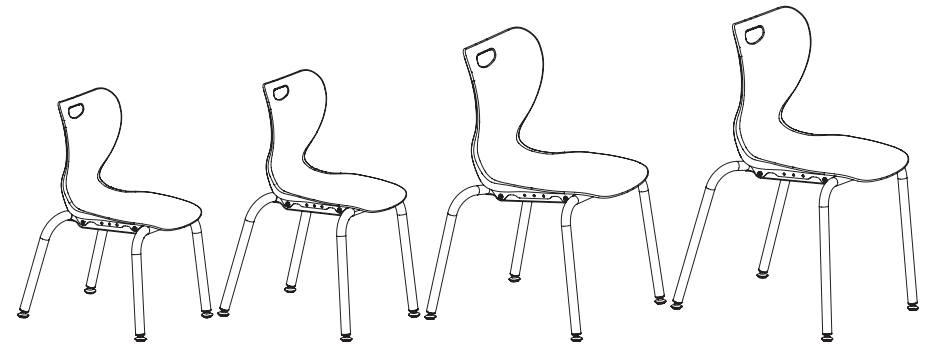


Staples®

Student Chair

ST63540,ST63541
ST63542,ST63543
ST63634,ST63635
ST63636,ST63637



Staples®

ASSEMBLY GUIDE

Product Support 1-800-425-0049

Easy assembly.

Staples® is taking the stress and frustration out of furniture assembly.

More logical instructions. We develop our instructions to have the right amount of detail you'll need for assembly.

We're here to help. If you're confused during any step of the process, just call the number located at the bottom of the instructions pages. You'll get help from a friendly representative.

Need help with assembly? Questions?

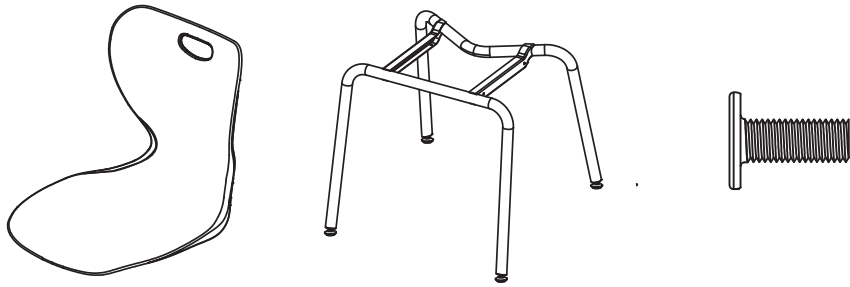
Call our Product Support experts
9:00 am-8:00 pm, Eastern Time
1-800-425-0049

Elevate your workspace.

Built to last. We rigorously test all our products to meet or exceed industry-leading standards.

We stand behind our products and materials. If for any reason a Staples® product does not meet the performance expectations, please contact us at 1-800-425-0049.

Included Parts



- ① **Seat and Back** (x1) ② **Steel Legs** (x1) A **Blue Screws** (x4)

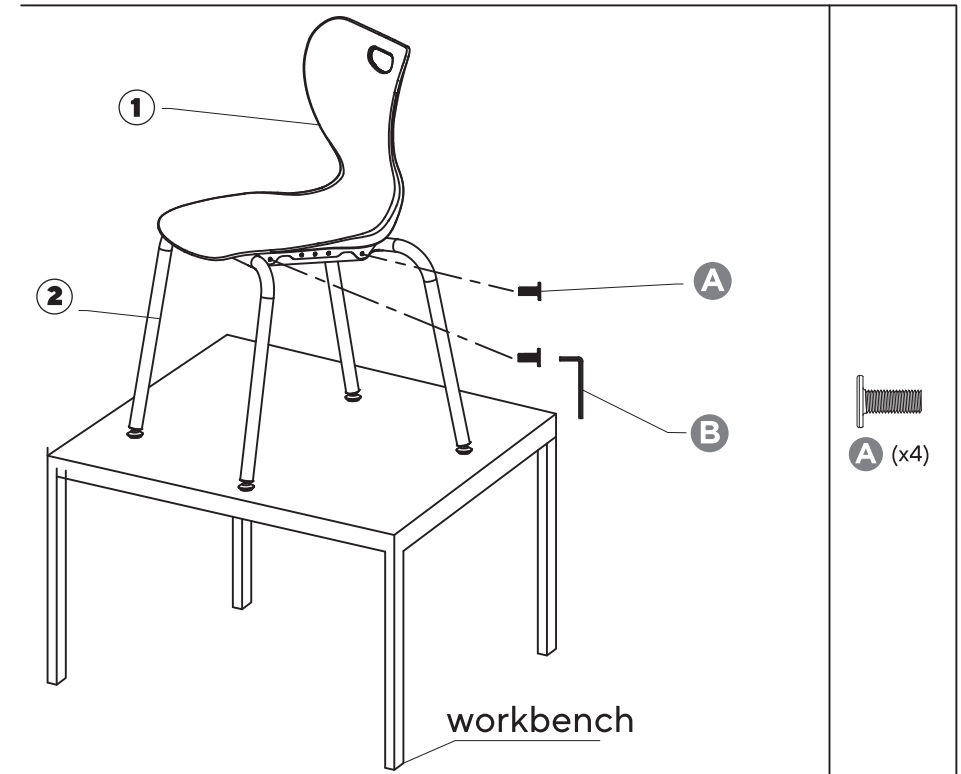
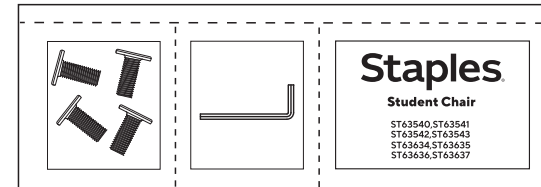
Tools Provided



- B **Allen Wrench** (x1)

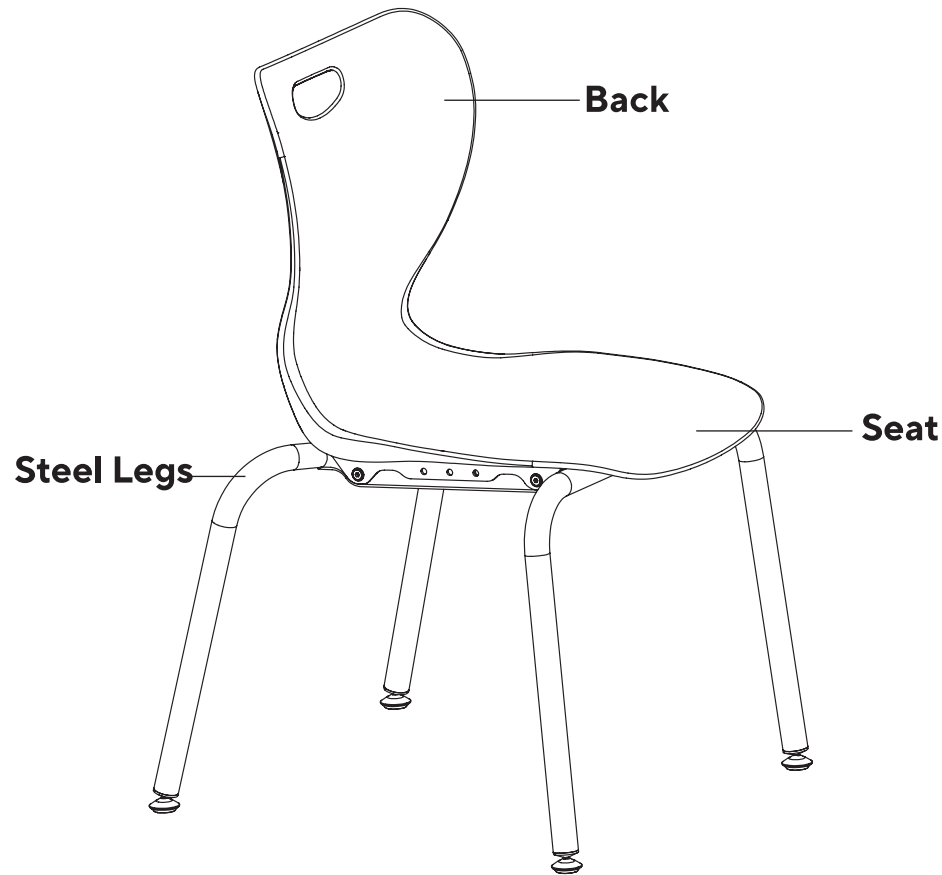
**Chair bolts, screws and knobs may loosen during use
Please tighten your chair's hardware each month.**

Each piece of hardware needed for each step is located in the corresponding segment in your Easy Parts Pack.



1. Use Allen wrench to thread all screws.
2. Loosely tighten all screws with Allen wrench prior to fully tightening.
3. Fully tighten all screws at the final step.

Behold, the finished product.



Warranty

Staples Brands warrants to the original purchaser of this Staples® Chair against defects in design, assembly, material, or workmanship for 5 years from the original date of purchase. In the event of a defect in the design, assembly, materials or workmanship of this product within 5 years from the original date of purchase, Staples Brands will replace any such defective part. Parts included under this warranty are non-moving metal components, chair frame, pneumatic cylinder, upholstery and all other parts. To claim your replacement parts, contact product support at 1-800-425-0049. Original receipt or proof of purchase is required to obtain replacement parts. This warranty is based on up to 8 hours of continual use within a 24-hour period for users weighing up to 275 lbs. (124 kgs).

Claims under this limited warranty or any implied warranty shall be limited to replacement of 100% of the chair or refund of purchase price at Staples Brands' sole option.

This warranty does not apply to normal wear or damage from misuse, abuse, improper storage or handling, installation, accident, repair or alteration or other circumstances not directly attributable to manufacturing or material defects.

THIS WARRANTY IS EXCLUSIVE AND IN LIEU OF ALL OTHERS, WHETHER ORAL OR WRITTEN, EXPRESS OR IMPLIED. STAPLES BRANDS SPECIFICALLY DISCLAIM ANY AND ALL IMPLIED WARRANTIES, INCLUDING WITHOUT LIMITATION, WARRANTIES OF MERCHANTABILITY AND FITNESS FOR A PARTICULAR PURPOSE. IN NO EVENT WILL STAPLES BRANDS BE LIABLE FOR ANY INCIDENTAL, DIRECT, INDIRECT, SPECIAL, PUNITIVE, OR CONSEQUENTIAL DAMAGES (SUCH AS BUT NOT LIMITED TO, DAMAGES FOR LOSS OF PROFITS, BUSINESS, SAVINGS, DATA OR RECORDS) RELATED TO THIS PRODUCT.

This warranty gives you specific legal rights, and you may also have other rights that vary depending upon the state, province, territory or country. Some states, provinces and territories do not allow the exclusion or limitation of incidental or consequential damages or limitation on how long an implied warranty lasts.

Except as stated herein, no other warranties shall apply.